

Technical Details

OmniGlobe® 60 single SXGA+

Dimensions : 60"

Diameter 154 cm

Height: 215 cm (with pedestral)

Weight : 106 kg

Material: special optical coating on acrylic glass

Projector: Panasonic SXGA+ 7000

Power supply : 220V/16A

System based on an inside-projection use one beamer for projecting a world map through a hole at the sphere's top via optical system onto an acrylic glass ball.

The optical system is based on a patented convex mirror assembly.

Basic requirements for the installation of the Omniglobe:

Please make sure that all access doors, elevators, stairways etc. allow for the dimensions of the transport cases, minimum doorwidth is 94 cm.

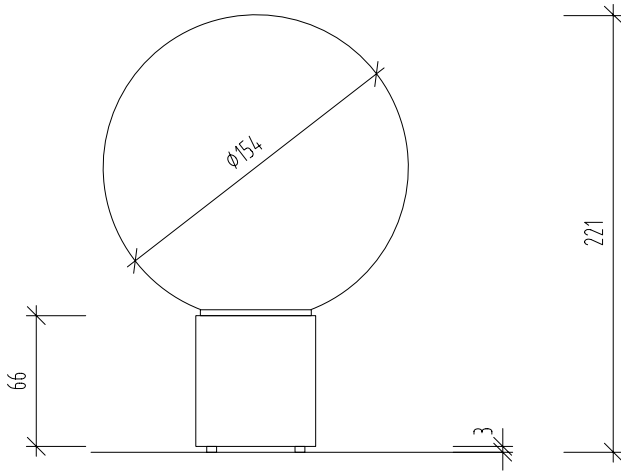
2 cases	164 L x 164 W x 91 H centimeter
1 case	164 L x 58 W x 72 H centimeter
1 case	93 L x 60 W x 73 H centimeter
1 case	80 L x 77 W x 45 H centimeter

Lighting conditions:

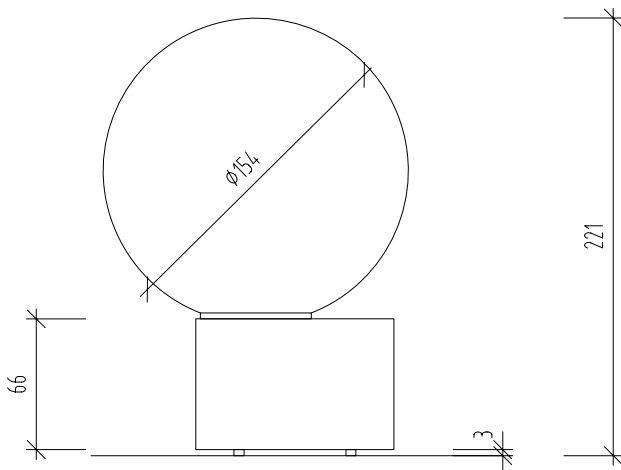
The impressive illumination of the Omniglobe is best experienced in dark surroundings. For events taking place in daylight or under especially bright conditions we recommend that the location assigned to the Omniglobe is adequately darkened. If you've any questions, please contact us!

OmniGlobe® 60 single

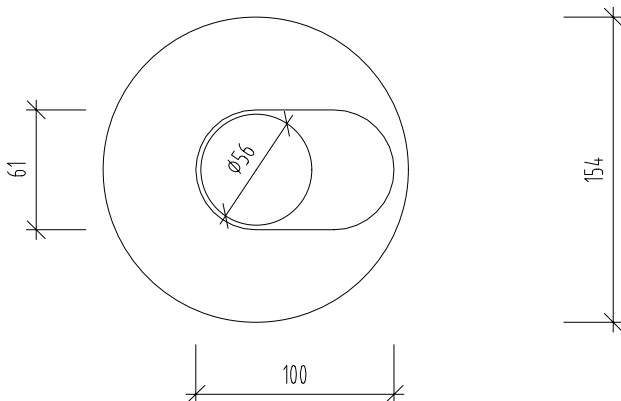
All dimensions in cm



Front



Side



Top

Dimensions : 60"

Diameter 154 cm

Height: 221 cm

Weight : 106 kg

Projector: Panasonic SXGA+ 7000

Power supply : 220V/16A

Home of pirates GmbH

Heike Hensch

Tel. +49(0)2266-44599

mailto:h.hensch@homeofpirates.de